

Universal Load Cell



FEATURES

- Capacities: 50 - 5000kg, 100 - 10Klbs
- Fully welded, stainless steel construction
- Hermetically sealed, IP66 and IP68
- Certified to OIML R-60, 3000d
- Integrated overload stop (50 - 500kg)
- Current calibration output (SC version) ensures easy and accurate parallel connection of multiple load cells

OPTIONAL FEATURE

- ATEX and FM certified versions are available for use in potentially explosive atmospheres

DESCRIPTION

The BSP is a stainless steel S-type load cell that can be used in either tension or compression.

This product is suitable for a wide range of hybrid scales, overhead track scales, belt scales and process weighing applications.

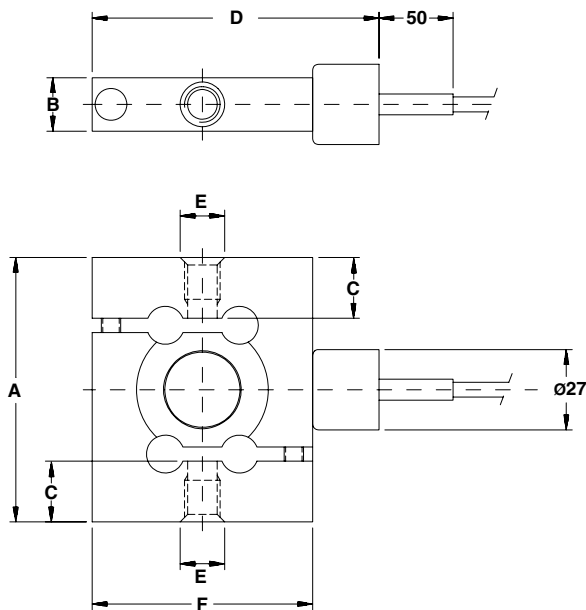
The fully welded construction and water block cable entry ensure that this product can be used successfully in the harsh environments found in the food, chemical and allied process industries.

This product fully meets the stringent European Weights and Measures requirements through Europe.

APPLICATIONS

- Hybrid scales
- Process weighing
- Belt checkweighers
- Dynamometers
- Material testing machines

OUTLINE DIMENSIONS in millimeters



Cable specifications:

Cable length: 10m

Excitation + Green

Excitation - Black

Output + White

Output - Red

Shield Transparent

Cable screen is not connected to load cell body. Performance may be affected if load cell cables are shortened.

Tension applications result in a negative output signal.

Capacity (kg)	50, 125	250	500	1250	2500, 5000
A	84.3	88.9	88.9	95.2	120.6
B	23.9	18.0	18.0	24.1	36.6
C thread	12.7	14.0	14.0	14.0	29.2
D	85.7	84.1	96.8	84.1	84.1
E	M8x1.25		M12x1		M24x2
F	63.5	61.9	74.6	61.9	61.9

Capacity (lb)	100, 250	500	1K	2.5K	5K, 10K
A	3.32	3.50	3.50	3.75	4.75
F	2.48	2.44	2.94	2.44	2.44
B	0.94	0.71	0.71	0.95	1.44
D	3.36	3.32	3.81	3.31	3.31
E threads	3/8-24 UNF-3B		1/2-20 UNF-3B		1-14 UNS-3B

**SPECIFICATIONS**

PARAMETER	VALUE			UNIT
Standard capacities (E_{max})	50, 125, 250, 500, 1250, 2500, 5000			kg
Standard capacities (E_{max})	100, 250, 500, 1000, 2500, 5000, 10000			lbs
Accuracy class according to OIML R-60 /NTEP	NTEP IIIIL	Non-Approved	C3	
Max. no. of verification intervals	10000		3000	
Min. verification interval ($V_{min}=E_{max}/Y$)			$E_{max}/10000$	
Rated output (=S)	3 (2 for 2500 and 5000kg)			mV/V
Rated output tolerance	0.03 (0.02 for 2500 and 5000kg)			\pm mV/V
Zero balance	1.0			\pm % FSO
Combined error	0.0200	0.0500	0.0200	\pm % FSO
Non-repeatability	0.0100	0.0200	0.0100	\pm % FSO
Minimum dead load output return		0.0500	0.0167	\pm % FSO
Creep error (30 minutes)		0.0600	0.0245	\pm % FSO
Creep error (20 - 30 minutes)	0.0300	0.0200		\pm % FSO
Temp. effect on min. dead load output	(0.0008)	0.0250	0.0070	\pm % FSO/5°C (°F)
Temperature effect on sensitivity	(0.0010)	0.0250	0.0050	\pm % FSO/5°C (°F)
Minimum dead load	0			% E_{max}
Maximum safe over load	150			% E_{max}
Ultimate over load	300			% E_{max}
Maximum safe side load	100			% E_{max}
Deflection at E_{max}	0.28 max.			mm
Excitation voltage	5 to 15			V
Maximum excitation voltage	18			V
Input resistance	350 \pm 3.5			Ω
Output resistance	350 \pm 3.5			Ω
Insulation resistance	\geq 5000			M Ω
Compensated temperature range	-10 to +40			°C
Operating temperature range	-40 to +80			°C
Storage temperature range	-40 to +90			°C
Element material (DIN)	Stainless steel 1.4542			
Sealing (DIN 40.050 / EN60.529)	IP66 and IP68			
SC-Version (current calibration)	Standard			

FSO-Full Scale Output

SC-version: The rated output and the output resistance are balanced in such a way, that the output current is calibrated to within 0.05% of a reference value. This allows easy parallel connection of the load cells.

VISHAY TRANSDUCERS (VT) SALES OFFICES

VT Americas
City of Industry, CA
PH: +1-626-858-8899
FAX: +1-626-332-3418
vt.us@vishaymg.com

VT Netherlands
Breda
PH: +31-76-548-0700
FAX: +31-76-541-2854
vt.nl@vishaymg.com

VMG UK
Basingstoke
PH: +44-125-646-2131
FAX: +44-125-647-1441
vt.uk@vishaymg.com

VMG Israel
Netanya
PH: +972-9-863-8888
FAX: +972-9-863-8800
vt.il@vishaymg.com

VMG Germany
Heilbronn
PH: +49-7131-3901-260
FAX: +49-7131-3901-2666
vt.de@vishaymg.com

VT China
Tianjin
PH: +86-22-2835-3503
FAX: +86-22-2835-7261
vt.prc@vishaymg.com

VMG France
Chartres
PH: +33-2-37-33-31-20
FAX: +33-2-37-33-31-29
vt.fr@vishaymg.com

VT Taiwan*
Taipei
PH: +886-2-2696-0168
FAX: +886-2-2696-4965
vt.roc@vishaymg.com
*Asia except China



Notice

Specifications of the products displayed herein are subject to change without notice. Vishay Intertechnology, Inc., or anyone on its behalf, assumes no responsibility or liability for any errors or inaccuracies.

Information contained herein is intended to provide a product description only. No license, express or implied, by estoppel or otherwise, to any intellectual property rights is granted by this document. Except as provided in Vishay's terms and conditions of sale for such products, Vishay assumes no liability whatsoever, and disclaims any express or implied warranty, relating to sale and/or use of Vishay products including liability or warranties relating to fitness for a particular purpose, merchantability, or infringement of any patent, copyright, or other intellectual property right.

The products shown herein are not designed for use in medical, life-saving, or life-sustaining applications. Customers using or selling these products for use in such applications do so at their own risk and agree to fully indemnify Vishay for any damages resulting from such improper use or sale.