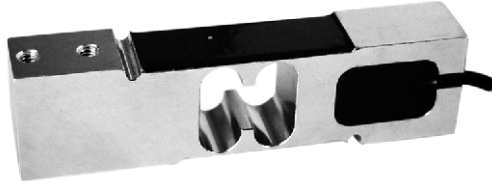


Single Point Stainless Steel Load Cell



FEATURES

- Capacity range: 10 to 150kg
- Stainless steel construction
- Single point 400 x 400mm platform
- Sealed to IP66
- Compact size: only 40mm high
- OIML approved to C3 (20 - 100kg)
- Choice of mounting threads: \square -20 UNC or M6 x 12

OPTIONAL FEATURES

- EEx ia IIC T4 - ATEX hazardous area approval
- Grounded version includes shield wire in load cell cable

DESCRIPTION

Model 1142 is a stainless steel single point load cell suitable for direct mounting with platform, bench, counting, and a wide range of other scale applications. Small physical size, combined with high accuracy and low cost, makes 1142 load cells the perfect choice for new or retrofit scale construction.

A humidity-resistant protective coating assures stable operation in damp environments over the entire compensated range and conforms to IP66 (IEC 60529).

Also available is an ATEX 2G EEx ia IIC T4 approved version for hazardous areas.

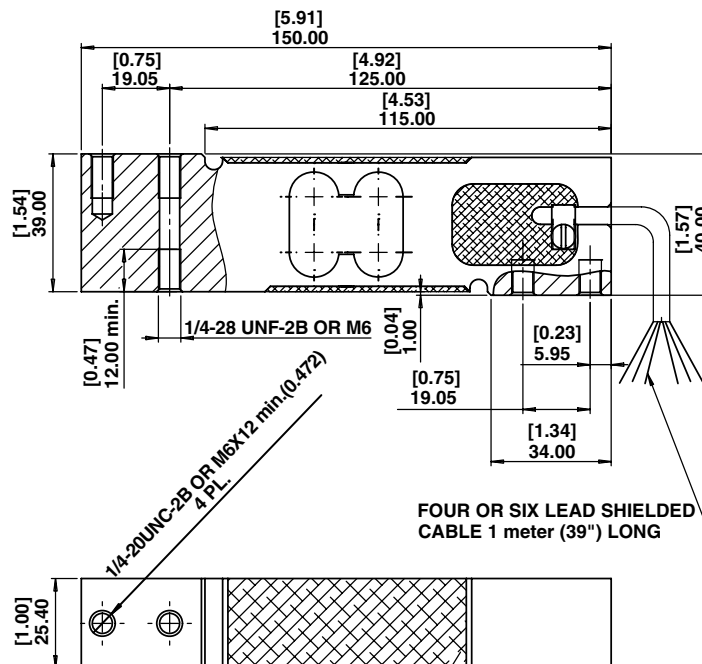
The six-wire cable includes two sense wires that compensate for changes in lead resistance due to temperature changes and cable extension.

Model 1142 options offer a choice of boltthreads, \square -20 UNC or M6 x 12, and a grounded version that includes a "shield" wire in the load cell cable.

APPLICATIONS

- Platform scales
- Bench scales
- Counting scales
- Grocery scales

OUTLINE DIMENSIONS in millimeters



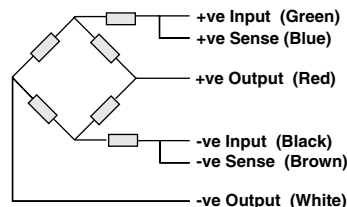
All DIMENSIONS IN mm [inches].

SPECIFICATIONS

PARAMETER	VALUE		UNIT
Rated capacity-R.C. (E_{max})	10, 15, 20, 30, 50, 75, 100, 150**		kg
OIML Accuracy class	Non-Approved	C3*	
Maximum no. of intervals (n)	1000	3000	
$Y = E_{max}/V_{min}$	4000	15000	Maximum available
Rated output-R.O.	2.0		mV/V
Rated output tolerance	0.2		±mV/V
Zero balance	0.2		+mV/V
Zero Return, 30 min.	0.0500	0.0167	±% of applied load
Total Error	0.0300	0.0200	±% of rated output
Temperature effect on zero	0.0070	0.0023	±% of rated output/°C
Temperature effect on output	0.0030	0.0010	±% of applied load/°C
Eccentric loading error	0.0074	0.0049	±% of rated load/cm
Temperature range, compensated	-10 to +40		°C
Temperature range, safe	-20 to +70		°C
Maximum safe central overload	150		% of R.C.
Ultimate central overload	300		% of R.C.
Excitation, recommended	10		Vdc or Vac rms
Excitation, maximum	15		Vdc or Vac rms
Input impedance	385±10		Ohms
Output impedance	351±5		Ohms
Insulation resistance	>2000		Mega-Ohms
Cable length	1		m
Cable type	6 wire, PVC, single floating screen		Standard
Construction	Stainless steel		
Environmental protection	IP66		
Platform size (max)	400 x 400		mm
Recommended torque	Up to 30kg: 7.0 50kg & up: 10.0		N*m

* 50% utilization

** 10, 15 & 150 are not approved

Wiring Schematic Diagram
 (Balanced bridge temperature compensation)

VISHAY TRANSDUCERS (VT) SALES OFFICES

VT Americas
 City of Industry, CA
 PH: +1-626-858-8899
 FAX: +1-626-332-3418
 vt.us@vishaymg.com

VT Netherlands
 Breda
 PH: +31-76-548-0700
 FAX: +31-76-541-2854
 vt.nl@vishaymg.com

VMG UK
 Basingstoke
 PH: +44-125-646-2131
 FAX: +44-125-647-1441
 vt.uk@vishaymg.com

VMG Israel
 Netanya
 PH: +972-9-863-8888
 FAX: +972-9-863-8800
 vt.il@vishaymg.com

VMG Germany
 Heilbronn
 PH: +49-7131-3901-260
 FAX: +49-7131-3901-2666
 vt.de@vishaymg.com

VT China
 Tianjin
 PH: +86-22-2835-3503
 FAX: +86-22-2835-7261
 vt.prc@vishaymg.com

VMG France
 Chartres
 PH: +33-2-37-33-31-20
 FAX: +33-2-37-33-31-29
 vt.fr@vishaymg.com

VT Taiwan*
 Taipei
 PH: +886-2-2696-0168
 FAX: +886-2-2696-4965
 vt.roc@vishaymg.com
 *Asia except China



Notice

Specifications of the products displayed herein are subject to change without notice. Vishay Intertechnology, Inc., or anyone on its behalf, assumes no responsibility or liability for any errors or inaccuracies.

Information contained herein is intended to provide a product description only. No license, express or implied, by estoppel or otherwise, to any intellectual property rights is granted by this document. Except as provided in Vishay's terms and conditions of sale for such products, Vishay assumes no liability whatsoever, and disclaims any express or implied warranty, relating to sale and/or use of Vishay products including liability or warranties relating to fitness for a particular purpose, merchantability, or infringement of any patent, copyright, or other intellectual property right.

The products shown herein are not designed for use in medical, life-saving, or life-sustaining applications. Customers using or selling these products for use in such applications do so at their own risk and agree to fully indemnify Vishay for any damages resulting from such improper use or sale.