

Stainless Steel, Single Column Compression Load Cell



FEATURES

- Rated capacities of 50,000 to 100,000 pounds; 25 to 50 metric tons
- Stainless steel, welded seal construction
- 30 feet standard cable length
- Trade certified for NTEP Class III: 10000 divisions and OIML R60 3000 divisions
- Welded *Sensorgage*™ sealed to IP67 standards
- Factory Mutual System Approved for Classes I, II, III; Divisions 1 and 2; Groups A through G. Also, non-incendive ratings (No barriers!)

OPTIONAL FEATURE

- Fully hermetically sealed available to IP66/68 standards

DESCRIPTION

The 65114 is a high capacity, stainless steel single column compression load cell.

This product is specifically designed for use in rugged outdoor environments. Stainless steel construction with IP67 welded seal comes standard with optional true hermetic IP68 sealing available upon request. This load cell is used primarily in

truck and train scales, but can just as easily be used to weigh tanks and silos.

This load cell is rated intrinsically safe by the Factory Mutual System (FM); making it suitable for use in potentially explosive environments. This load cell is certified for Legal For Trade applications by both American NTEP and International OIML standards.

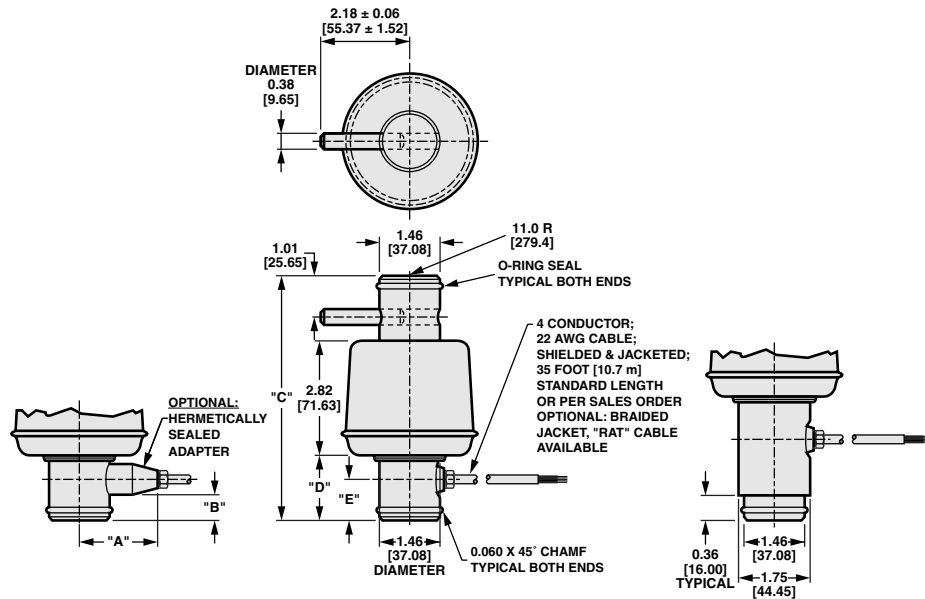
APPLICATIONS

- Truck scales
- Tank, bin and hopper weighing

OUTLINE DIMENSIONS in inches [mm]

Wiring

- + Excitation Red
- Excitation Black
- + Output Green
- Output White



CAPACITY	A	B	C	D	E
50K	1.91	0.62	6.00	1.59	1.00
100K	2.08	2.01	8.86	3.04	2.01
25t	[48.51]	[15.75]	[152.40]	[40.39]	[25.40]
35t - 50t	[52.83]	[51.05]	[225.04]	[77.22]	[51.05]

Capacities are in pounds [kg/t].



Stainless Steel, Single Column
Compression Load Cell

Model 65114
Vishay Sensortronics

SPECIFICATIONS

PARAMETER	VALUE			UNIT
Rated capacity-R.C. (E_{max})	50K, 100K 25, 35, 50			lbs tons
NTEP/OIML Accuracy class	NTEP IIII	Standard	OIML R60	
Maximum no. of intervals (n)	10000 multiple		3000	
$Y = E_{max}/V_{min}$	NTEP cert. 97-081		8333	Maximum available
Rated output-R.O.	2.0			mV/V
Rated output tolerance	0.25			±% mV/V
Zero balance	1.0			±% FSO
Combined error	0.02	0.03	0.02	±% FSO
Non-repeatability	0.010	0.015	0.010	±% FSO
Creep error (30 minutes)	0.03	0.05	0.017	±% FSO
Temperature effect on zero	0.0010	0.0015	0.0010	±% FSO/°F
Temperature effect on output	0.0008	0.0008	0.0007	±% of load/°F
Compensated temperature range	14 to 104 (-10 to 40)			°F (°C)
Operating temperature range	0 to 150 (-18 to 65)			°F (°C)
Storage temperature range	-60 to 185 (-50 to 85)			°F (°C)
Maximum safe central overload	150			% of R.C.
Ultimate central overload	300			% of R.C.
Excitation, recommended	5 - 20			Vdc or Vac rms
Excitation, maximum	25			Vdc or Vac rms
Input impedance	1000 nominal			Ω
Output impedance	990 - 1010			Ω
Insulation resistance at 50VDC	>1000			MΩ
Material	Stainless steel			
Environmental protection	IP67*			

* Hermetically sealed to IP68 upon request

FSO -Full Scale Output

All specifications subject to change without notice.

VISHAY TRANSDUCERS (VT) SALES OFFICES

VT Americas
City of Industry, CA
PH: +1-626-858-8899
FAX: +1-626-332-3418
vt.us@vishaymg.com

VT Netherlands
Breda
PH: +31-76-548-0700
FAX: +31-76-541-2854
vt.nl@vishaymg.com

VMG UK
Basingstoke
PH: +44-125-646-2131
FAX: +44-125-647-1441
vt.uk@vishaymg.com

VMG Israel
Netanya
PH: +972-9-863-8888
FAX: +972-9-863-8800
vt.il@vishaymg.com

VMG Germany
Heilbronn
PH: +49-7131-3901-260
FAX: +49-7131-3901-2666
vt.de@vishaymg.com

VT China
Tianjin
PH: +86-22-2835-3503
FAX: +86-22-2835-7261
vt.prc@vishaymg.com

VMG France
Chartres
PH: +33-2-37-33-31-20
FAX: +33-2-37-33-31-29
vt.fr@vishaymg.com

VT Taiwan*
Taipei
PH: +886-2-2696-0168
FAX: +886-2-2696-4965
vt.roc@vishaymg.com
*Asia except China



Notice

Specifications of the products displayed herein are subject to change without notice. Vishay Intertechnology, Inc., or anyone on its behalf, assumes no responsibility or liability for any errors or inaccuracies.

Information contained herein is intended to provide a product description only. No license, express or implied, by estoppel or otherwise, to any intellectual property rights is granted by this document. Except as provided in Vishay's terms and conditions of sale for such products, Vishay assumes no liability whatsoever, and disclaims any express or implied warranty, relating to sale and/or use of Vishay products including liability or warranties relating to fitness for a particular purpose, merchantability, or infringement of any patent, copyright, or other intellectual property right.

The products shown herein are not designed for use in medical, life-saving, or life-sustaining applications. Customers using or selling these products for use in such applications do so at their own risk and agree to fully indemnify Vishay for any damages resulting from such improper use or sale.