

## Stainless Steel Multi-Column Compression Load Cell

### FEATURES

- Rated capacities of 50,000 to 200,000 pounds, 23 to 91 metric tons
- Stainless steel, welded seal construction
- Multi-column *monolithic element* design
- 35 feet [10.7m] standard cable length
- Three times side loading tolerance relative to similar competitive products
- Reduced eccentric loading sensitivity
- Integral conduit adaptor
- Replacement for models RTI 792 and BLH C2P1
- Trade certified for NTEP Class III L:10,000 divisions; Class III:5,000 divisions and OIML R60 3,000 divisions
- Welded *Sensorgage™* sealed to IP66/67 standards
- *Cell Guard™* Two Year Warranty
- ISO 9001:2000 Certified manufacturing facilities



### APPLICATIONS

- Truck scales
- Railroad track scales
- Tank, bin and silo weighing applications

| RATED CAPACITIES |                   |
|------------------|-------------------|
| lbs              | [kgs/metric tons] |
| 50K, 100K, 200K  | 23t, 45t, 91t     |

| FULL SCALE OUTPUT (FSO) |                   |
|-------------------------|-------------------|
| lbs                     | [kgs/metric tons] |
| 2.0 mV/V ± 0.50%        | 2.0 mV/V ± 0.50%  |



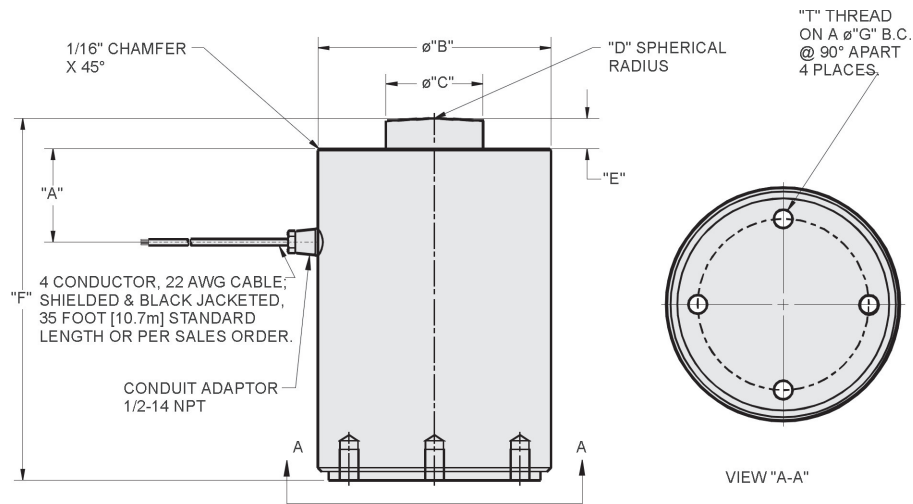
| <b>ACCURACY CLASS</b>           |                      |                   |                    |                 |
|---------------------------------|----------------------|-------------------|--------------------|-----------------|
|                                 | <b>STANDARD</b>      | <b>NTEP III</b>   | <b>NTEP IIIIL</b>  | <b>OIML R60</b> |
| Max. No. Verification Intervals | --                   | 5,000<br>Multiple | 10,000<br>Multiple | 3,000           |
| Combined Error % FSO            | ≤ 0.03               | --                | --                 | --              |
| Nonlinearity % FSO              | ≤ 0.03               | --                | --                 | --              |
| Hysteresis % FSO                | ≤ 0.02               | --                | --                 | --              |
| Creep Error % FSO               | ≤ 0.03 in 20 minutes | --                | --                 | --              |
| Temperature Effect on:          |                      |                   |                    |                 |
| • Zero % FSO/°F                 | ≤ 0.0015             | --                | --                 | --              |
| • Output % of Load/°F           | ≤ 0.0008             | --                | --                 | --              |

**PERFORMANCE SPECIFICATIONS****Non-Repeatability % FSO:** ≤ 0.1**Zero Balance % FSO:** ≤ 1.0**Insulation Resistance:** >1000 Mohms at 50 VDC**Compensated Temperature Range:** 14° to 104°F [-10° to 40°C]**Operating Temperature Range:** 0° to 150°F [-18° to 65°C]**Storage Temperature Range:** -60° to 185°F [-50° to 85°C]**Input Resistance:** 350 ±3.5 Ohms**Output Resistance:** 350 ±3.5 Ohms**Recommended Excitation Voltage:** 10 Volts DC**Maximum Excitation Voltage:** 25 Volts DC**Safe Sideload:** 30% of Rated Capacity**Safe Overload:** 150% of Rated Capacity**Ultimate Overload:** 300% of Rate Capacity**Sealing:** Meets IP66/67 Standards**Material****Element:** 15-5 PH Stainless Steel**Canister:** 304Stainless Steel

| <b>CAPACITY</b> |          |          |          |          |          |          |          |                           |                   |               |
|-----------------|----------|----------|----------|----------|----------|----------|----------|---------------------------|-------------------|---------------|
|                 | <b>A</b> | <b>B</b> | <b>C</b> | <b>D</b> | <b>E</b> | <b>F</b> | <b>G</b> | <b>T</b>                  | <b>DEFLECTION</b> | <b>WEIGHT</b> |
| 50K             | 1.17     | 4.50     | 1.25     | 8.00     | 0.75     | 7.50     | 2.38     | 3/8-24 UNF-2B x .63 DEEP  | 0.003             | 15.0          |
| 100K            | 2.00     | 5.75     | 1.75     | 12.00    | 0.87     | 9.13     | 4.00     | 1/2-20 UNF-2B x .75 DEEP  | 0.006             | 35.0          |
| 200K            | 2.93     | 7.50     | 2.50     | 12.00    | 0.97     | 11.63    | 5.50     | 5/8-18 UNF-2B x 1.00 DEEP | 0.006             | 55.0          |
| [23t]           | [29.7]   | [114.3]  | [31.7]   | [203.2]  | [19.0]   | [190.5]  | (60.5)   | 3/8-24 UNF-2B x .63 DEEP  | [0.1]             | [6.8]         |
| [45t]           | [50.8]   | [146.0]  | [44.5]   | [304.8]  | [22.1]   | [231.9]  | [101.6]  | 1/2-20 UNF-2B x .75 DEEP  | [0.2]             | [15.9]        |
| [91t]           | [74.4]   | [190.5]  | [63.5]   | [304.8]  | [24.6]   | [295.4]  | [139.7]  | 3/8-24 UNF-2B x .63 DEEP  | [0.2]             | [25.0]        |

Dimensions are in inches [mm]. Capacities are in pounds [kg/t]. Deflection is ±10%. Specifications are subject to change. Certified drawings are available.

**DIMENSIONAL OUTLINE DRAWING**



**WIRING**

+ Excitation = Green; - Excitation = Black; + Output = White; - Output = Red

**VISHAY TRANSDUCERS (VT) - SALES OFFICES**

|  |  |   |   |   |   |
|--|--|---|---|---|---|
| <p><b>VT Americas</b><br/>Covina, CA<br/>PH: +1-800-722-0820<br/>FAX: +1-626-332-3418<br/>vt.us@vishaymg.com</p> | <p><b>VT Canada</b><br/>Toronto<br/>PH: +1-416-251-2554<br/>FAX: +1-416-251-2690<br/>vt.can@vishaymg.com</p>       | <p><b>VT UK</b><br/>Basingstoke<br/>PH: +44-125-646-2131<br/>FAX: +44-125-647-1441<br/>vt.uk@vishaymg.com</p> | <p><b>VT Sweden</b><br/>Karlskoga<br/>PH: +46-586-630-00<br/>FAX: +46-586-630-99<br/>vt.se@vishaymg.com</p> | <p><b>VT Germany</b><br/>Heilbronn<br/>PH: +49-7131-3901-260<br/>FAX: +49-7131-3901-2666<br/>vt.de@vishaymg.com</p> | <p><b>VT France</b><br/>Chartres<br/>PH: +33-2-37-33-31-20<br/>FAX: +33-2-37-33-31-29<br/>vt.fr@vishaymg.com</p>                      |
| <p><b>VT Spain</b><br/>Madrid<br/>PH: +34-91-7218890<br/>FAX: +34-91-7219056<br/>vt.es@vishaymg.com</p>          | <p><b>VT Finland</b><br/>Jorvas<br/>PH: +358-(0)9-8194-220<br/>FAX: +358-(0)9-8194-2211<br/>vt.fi@vishaymg.com</p> | <p><b>VT Norway</b><br/>Oslo<br/>PH: +47-22-21-40-70<br/>FAX: +47-22-21-92-10<br/>vt.no@vishaymg.com</p>      | <p><b>VT Israel</b><br/>Netanya<br/>PH: +972-9-863-8888<br/>FAX: +972-9-863-8800<br/>vt.il@vishaymg.com</p> | <p><b>VT China</b><br/>Tianjin<br/>PH: +86-22-2835-3503<br/>FAX: +86-22-2835-7261<br/>vt.prc@vishaymg.com</p>       | <p><b>VT Taiwan*</b><br/>Taipei<br/>PH: +886-2-2696-0168<br/>FAX: +886-2-2696-4965<br/>vt.roc@vishaymg.com<br/>*Asia except China</p> |



## Notice

Specifications of the products displayed herein are subject to change without notice. Vishay Intertechnology, Inc., or anyone on its behalf, assumes no responsibility or liability for any errors or inaccuracies.

Information contained herein is intended to provide a product description only. No license, express or implied, by estoppel or otherwise, to any intellectual property rights is granted by this document. Except as provided in Vishay's terms and conditions of sale for such products, Vishay assumes no liability whatsoever, and disclaims any express or implied warranty, relating to sale and/or use of Vishay products including liability or warranties relating to fitness for a particular purpose, merchantability, or infringement of any patent, copyright, or other intellectual property right.

The products shown herein are not designed for use in medical, life-saving, or life-sustaining applications. Customers using or selling these products for use in such applications do so at their own risk and agree to fully indemnify Vishay for any damages resulting from such improper use or sale.