

Model 220

Vishay TedeA-Huntleigh



High Accuracy Compression Load Cell



FEATURES

- Capacities 5 - 50 Ton
- Stainless steel construction
- OIML R60 and NTEP approved
- IP68 protection

OPTIONAL FEATURES

- EEx ia IIC T6 hazardous area approval
- FM approval available

DESCRIPTION

Model 220 is a low profile bending ring load cell designed for high capacity weighing applications, including weighbridges, tanks, silos and high capacity platform scales as well as force measurement.

It's small physical size, combined with high accuracy and low cost, makes this load cell ideally suited for modern low profile designs in both approved applications and process weighing.

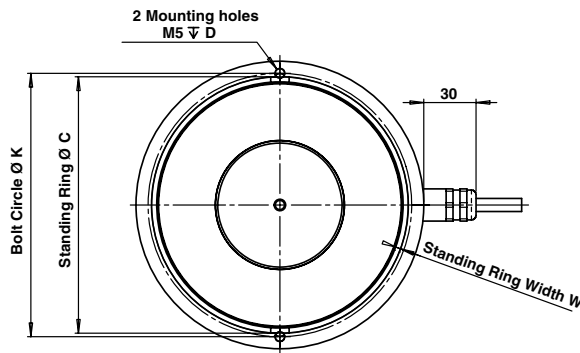
This high accuracy load cell has factory Mutual approval and is OIML R60

approved to 6000 divisions. For hazardous environments, this load cell has an EEx ia IIC T6 approved option. When combined with Vishay TedeA-Huntleigh mounting accessories, this load cell will provide a simple, accurate and reliable weighing system.

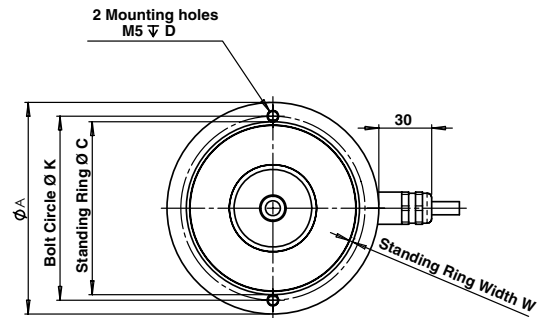
APPLICATIONS

- Truck scales
- Hopper for process weighing
- Tank & silo weighing
- Harsh environment

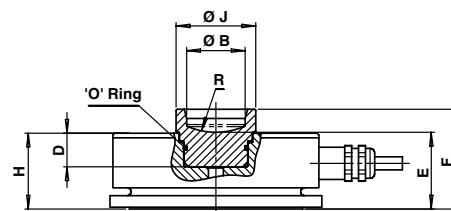
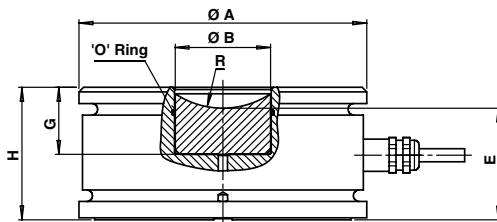
OUTLINE DIMENSIONS in millimeters



20t, 30t, 50t



5t, 10t



	A	B	C	D	E	F	G	H	J	K	W	R
5t	80.0	25.4	71.0	7.0	33.4	43.4	20.0	30.0	34.6	70.0	1.0	31.0
10t	92.0	25.4	75.2	6.0	33.4	43.4	14.6	33.0	34.6	80.0	1.5	31.0
20t & 30t	110.0	28.4	101.0	7.5	39.1		26.3	50.1		102.0	1.5	31.0
50t	125.0	41.4	111.5	8.0	48.5		29.2	57.7		114.5	2.3	37.3

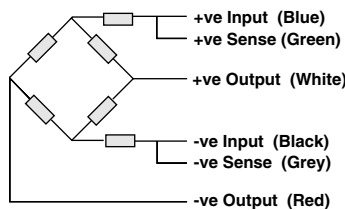


SPECIFICATIONS

PARAMETER	VALUE				UNIT
	NTEP	C1	C3*	C4**	
Rated capacity-R.C. (E_{max})	5000, 10000, 20000, 30000, 50000***				kg
NTEP/OIML Accuracy class					
Maximum no. of intervals (n)	10000 III L multiple	1000	3000	4000	
$Y = E_{max}/V_{min}$	11000	5000	14000	14000	
Rated output-R.O.	2.0				mV/V
Rated output tolerance	0.1				±% of rated output
Zero balance	2				±% of rated output
Zero Return, 30 min.	0.0330	0.0500	0.0170	0.0125	±% of applied load
Total Error (per OIML R60)	0.0200	0.0500	0.0200	0.0150	±% of rated output
Temperature effect on zero	0.0023	0.0028	0.0010	0.0010	±% of rated output/°C
Temperature effect on output	0.001	0.0020	0.0010	0.0008	±% of applied load/°C
Temperature range, compensated	-10 to +40				°C
Temperature range, safe	-30 to +70				°C
Maximum safe central overload	150				% of R.C.
Ultimate central overload	300				% of R.C.
Excitation, recommended	10				Vdc or Vac rms
Excitation, maximum	20				Vdc or Vac rms
Input impedance	1065±60				Ohms
Output impedance	1025±20				Ohms
Insulation resistance	>2000				Mega-Ohms
Cable length	5m (5T), 10m (10 & 20T), 20m (30 & 50T)				m
Cable type	6 wire, braided, Polyurethane, double floating screen				Standard
Construction	Stainless steel				
Environmental protection	IP68				

- * 20% utilization
- ** 40% utilization
- *** Capacities 5-20 ton available in C6 45% utilization

Wiring Schematic Diagram



VISHAY TRANSDUCERS (VT) SALES OFFICES

VT Americas
 City of Industry, CA
 PH: +1-626-858-8899
 FAX: +1-626-332-3418
 vt.us@vishaymg.com

VT Netherlands
 Breda
 PH: +31-76-548-0700
 FAX: +31-76-541-2854
 vt.nl@vishaymg.com

VMG UK
 Basingstoke
 PH: +44-125-646-2131
 FAX: +44-125-647-1441
 vt.uk@vishaymg.com

VMG Israel
 Netanya
 PH: +972-9-863-8888
 FAX: +972-9-863-8800
 vt.il@vishaymg.com

VMG Germany
 Heilbronn
 PH: +49-7131-3901-260
 FAX: +49-7131-3901-2666
 vt.de@vishaymg.com

VT China
 Tianjin
 PH: +86-22-2835-3503
 FAX: +86-22-2835-7261
 vt.prc@vishaymg.com

VMG France
 Chartres
 PH: +33-2-37-33-31-20
 FAX: +33-2-37-33-31-29
 vt.fr@vishaymg.com

VT Taiwan*
 Taipei
 PH: +886-2-2696-0168
 FAX: +886-2-2696-4965
 vt.roc@vishaymg.com
 *Asia except China



Notice

Specifications of the products displayed herein are subject to change without notice. Vishay Intertechnology, Inc., or anyone on its behalf, assumes no responsibility or liability for any errors or inaccuracies.

Information contained herein is intended to provide a product description only. No license, express or implied, by estoppel or otherwise, to any intellectual property rights is granted by this document. Except as provided in Vishay's terms and conditions of sale for such products, Vishay assumes no liability whatsoever, and disclaims any express or implied warranty, relating to sale and/or use of Vishay products including liability or warranties relating to fitness for a particular purpose, merchantability, or infringement of any patent, copyright, or other intellectual property right.

The products shown herein are not designed for use in medical, life-saving, or life-sustaining applications. Customers using or selling these products for use in such applications do so at their own risk and agree to fully indemnify Vishay for any damages resulting from such improper use or sale.