

## Hermetically Sealed Single-Ended Beam



### FEATURES

- Capacities: 1K to 10Klb and 500 to 5000kg
- High side-load tolerance
- Easy installation
- Electroless nickel-plated-alloy tool steel or stainless steel
- NTEP III 5000M approval 1K to 10Klb

### OPTIONAL FEATURE

- FM approval available
- SQB-H(HSS) hermetically sealed stainless steel

### DESCRIPTION

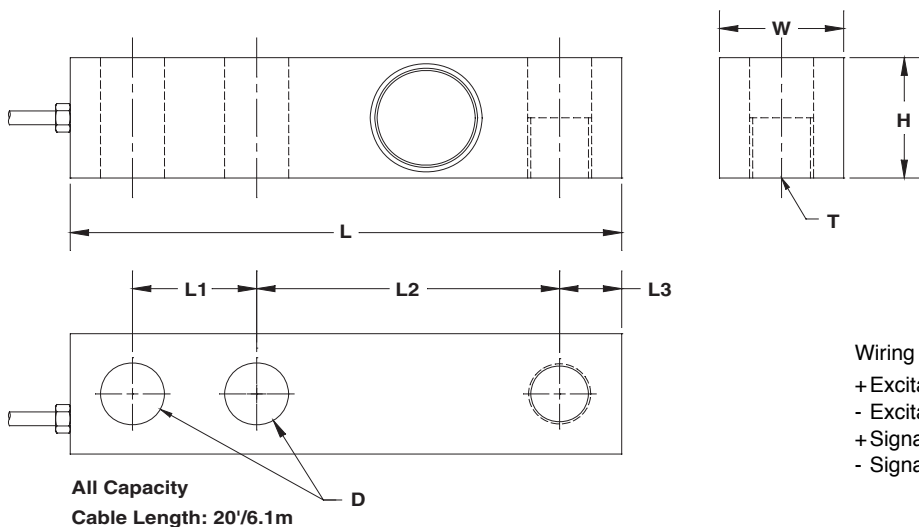
SQB-H(HSS) is a single-ended shear beam load cell designed for multiple cell applications such as low profile platform or small tank scales when used with proper mounting accessories. It is insensitive to side loading and capable of reversed loading. SQB-H(HSS) is constructed of stainless steel and is hermetically sealed to

IP68 providing excellent protection against corrosive and washdown environments.

### APPLICATIONS

- Truck/Rail scales
- Silo/Hopper/Tank weighing
- Platform scales (multiple load cells)
- Pallet truck scales
- Packaging machines

### OUTLINE DIMENSIONS



#### Wiring diagram

+ Excitation	Red
- Excitation	Black
+ Signal	Green
- Signal	White

CAPACITY		L	L1	L2	L3	W	H	D	T
500, 1000, 2000kg	mm	130.2	25.4	76.2	12.7	31.2	31.2	13.5	M12 x 1.75
1K/2K/2.5K/3K/4Klb	(inch)	5.12	1.00	3.00	0.50	1.22	1.22	0.53	1/2-20UNF
1500kg	mm	130.2	25.4	88.9	12.7	31.2	31.2	13.5	M12 x 1.75
5000kg	mm	171.5	38.1	95.3	19.0	38.1	38.1	19.8	M20 x 1.5
5K/10Klb	(inch)	6.75	1.50	3.75	0.75	1.50	1.50	0.78	3/4-16UNF



## SPECIFICATIONS

PARAMETER	VALUE		UNIT
	NTEP III	Non-Approved	
NTEP/OIML Accuracy class			
Maximum no. of intervals (n)	3000 single 5000 multiple	1000	
$Y = E_{max}/V_{min}$	10000	5000	Maximum available
Standard capacities ( $E_{max}$ )	1K, 2K, 2.5K, 3K, 4K, 5KSE, 5K, 10K		lbs
Standard capacities ( $E_{max}$ )	500, 1000, 1500, 2000, 5000		kg
Rated output-R.O.	3.0		mV/V
Rated output tolerance	0.25		±% of rated output
Zero balance	1		±% of rated output
Non linearity	0.025	0.030 (SS: 0.05)	±% of rated output
Hysteresis	0.025	0.030 (SS: 0.05)	±% of rated output
Non-repeatability	0.020	0.020	±% of rated output
Creep error (20 minutes)	0.025	0.030	±% of rated output
Zero return (20 minutes)	0.025	0.030	±% of rated output
Temperature effect on min. dead load output	0.0017	0.0026	±% of rated output/°C
Temperature effect on sensitivity	0.0010	0.0015	±% of applied load/°C
Compensated temperature range	-10 to +40		°C
Operating temperature range	-20 to +60		°C
Safe overload	150		% of R.C.
Ultimate overload	300		% of R.C.
Excitation, recommended	10		Vdc or Vac rms
Excitation, maximum	15		Vdc or Vac rms
Input impedance	385±5		Ohms
Output impedance	350±3		Ohms
Insulation resistance	>5000		Mega-Ohms
Construction	Nickel plated alloy steel*		
Environmental protection	IP68		

\* Stainless steel available

All specifications listed subject to change without notice.

FM Approval

Intrinsically Safe: Class I, II, III; Div. 1 Groups A-G

Non-Incendive: Class I; Div. 2 Groups A-D

## VISHAY TRANSDUCERS (VT) SALES OFFICES

**VT Americas**  
City of Industry, CA  
PH: +1-626-858-8899  
FAX: +1-626-332-3418  
vt.us@vishaymg.com

**VT Netherlands**  
Breda  
PH: +31-76-548-0700  
FAX: +31-76-541-2854  
vt.nl@vishaymg.com

**VMG UK**  
Basingstoke  
PH: +44-125-646-2131  
FAX: +44-125-647-1441  
vt.uk@vishaymg.com

**VMG Israel**  
Netanya  
PH: +972-9-863-8888  
FAX: +972-9-863-8800  
vt.il@vishaymg.com

**VMG Germany**  
Heilbronn  
PH: +49-7131-3901-260  
FAX: +49-7131-3901-2666  
vt.de@vishaymg.com

**VT China**  
Tianjin  
PH: +86-22-2835-3503  
FAX: +86-22-2835-7261  
vt.prc@vishaymg.com

**VMG France**  
Chartres  
PH: +33-2-37-33-31-20  
FAX: +33-2-37-33-31-29  
vt.fr@vishaymg.com

**VT Taiwan\***  
Taipei  
PH: +886-2-2696-0168  
FAX: +886-2-2696-4965  
vt.roc@vishaymg.com  
\*Asia except China



## Notice

Specifications of the products displayed herein are subject to change without notice. Vishay Intertechnology, Inc., or anyone on its behalf, assumes no responsibility or liability for any errors or inaccuracies.

Information contained herein is intended to provide a product description only. No license, express or implied, by estoppel or otherwise, to any intellectual property rights is granted by this document. Except as provided in Vishay's terms and conditions of sale for such products, Vishay assumes no liability whatsoever, and disclaims any express or implied warranty, relating to sale and/or use of Vishay products including liability or warranties relating to fitness for a particular purpose, merchantability, or infringement of any patent, copyright, or other intellectual property right.

The products shown herein are not designed for use in medical, life-saving, or life-sustaining applications. Customers using or selling these products for use in such applications do so at their own risk and agree to fully indemnify Vishay for any damages resulting from such improper use or sale.