

## Double Ended Beam Load Cell



### FEATURES

- Capacities: 10 to 75Klbs
- Environmental protection: IP67 (DIN 40.050)
- Material: Stainless steel
- Certified to NTEP class III, 10000 divisions

### OPTIONAL FEATURE

- FM approved for use in potentially explosive atmosphere

### DESCRIPTION

The 9423 is a medium capacity Double Ended Beam type load cell made of stainless steel.

This product is designed for use in certified truck and rail scales and is available in capacities from 10K to 75Klbs.

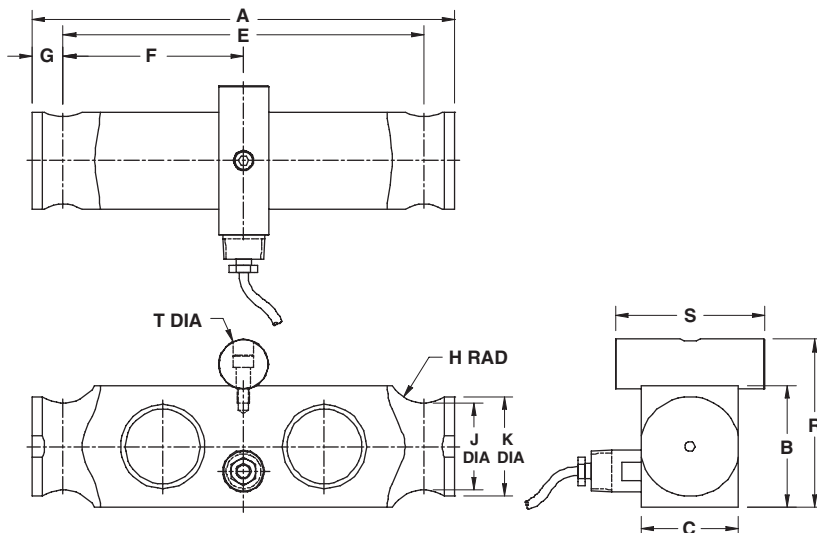
A reliable sealing and mechanical protection of the strain gage area is ensured by the use of potting compound with a metal cover.

This load cell is rated intrinsically safe by the FM system, making it suitable for use in potentially explosive atmosphere.

### APPLICATIONS

- Weighbridges
- Silos, tanks and hoppers

### OUTLINE DIMENSIONS in inches



#### Cable specifications:

Cable length: 9 m (30ft)

Excitation + Red

Excitation - Black

Output + Green

Output - White

Shield Transparent

Cable screen is not connected to load cell body.

Capacity	10, 15, 20, 25K	30, 40, 50, 60, 75K
A	8.00	8.50
B	1.94	2.45
C	1.44	1.95
E	7.12	7.25
F	3.56	3.62
G	0.44	0.63
H Rad	0.38	0.75
J	0.80	1.75
K	1.00	2.00
R	2.57	3.38
S	1.94	3.00
T	0.75	1.00

**SPECIFICATIONS**

PARAMETER	VALUE		UNIT
Capacities	10K*, 15K*, 20K, 25K, 30K, 40K, 50K, 60K, 75K		lbs
Accuracy class according to NTEP	NTEP IIIIL	Non-Approved	
Max. no. of verification intervals	10000d		
Rated output (=S)	3.0		mV/V
Rated output tolerance	0.003		±mV/V
Zero balance	1.0		±% FSO
Combined error	0.0200	0.0300	±% FSO
Creep error (20 - 30 minutes)	0.0300	0.0300	±% applied load
Temperature effect on min. dead load output	0.0090 (0.0010)	0.0135 (0.0015)	±% FSO/5°C (°F)
Temperature effect on sensitivity	0.0072 (0.0008)		±% applied load/5°C (°F)
Compensated temperature range	-10 to +40 (+14 to 104)		°C (°F)
Operating temperature range	-53 to +93 (-65 to +200)		°C (°F)
Safe load limit	150		%E <sub>max</sub>
Ultimate load	300		%E <sub>max</sub>
Safe side load limit	100		%E <sub>max</sub>
Excitation voltage recommended	10		V
Excitation voltage maximum	15		V
Input resistance	700±7		Ω
Output resistance	700±7		Ω
Insulation resistance	≥5000		MΩ
Environmental protection	IP67		
Element material	Stainless steel		ASTM

\* Capacities 10K & 15K are not NTEP approved.

FSO-Full Scale Output

Correct mounting of the load cells is essential to ensure optimum accuracy and performance. Further information is available upon request.

**VISHAY TRANSDUCERS (VT) SALES OFFICES**

**VT Americas**  
City of Industry, CA  
PH: +1-626-858-8899  
FAX: +1-626-332-3418  
vt.us@vishaymg.com

**VT Netherlands**  
Breda  
PH: +31-76-548-0700  
FAX: +31-76-541-2854  
vt.nl@vishaymg.com

**VMG UK**  
Basingstoke  
PH: +44-125-646-2131  
FAX: +44-125-647-1441  
vt.uk@vishaymg.com

**VMG Israel**  
Netanya  
PH: +972-9-863-8888  
FAX: +972-9-863-8800  
vt.il@vishaymg.com

**VMG Germany**  
Heilbronn  
PH: +49-7131-3901-260  
FAX: +49-7131-3901-2666  
vt.de@vishaymg.com

**VT China**  
Tianjin  
PH: +86-22-2835-3503  
FAX: +86-22-2835-7261  
vt.prc@vishaymg.com

**VMG France**  
Chartres  
PH: +33-2-37-33-31-20  
FAX: +33-2-37-33-31-29  
vt.fr@vishaymg.com

**VT Taiwan\***  
Taipei  
PH: +886-2-2696-0168  
FAX: +886-2-2696-4965  
vt.roc@vishaymg.com  
\*Asia except China



## Notice

Specifications of the products displayed herein are subject to change without notice. Vishay Intertechnology, Inc., or anyone on its behalf, assumes no responsibility or liability for any errors or inaccuracies.

Information contained herein is intended to provide a product description only. No license, express or implied, by estoppel or otherwise, to any intellectual property rights is granted by this document. Except as provided in Vishay's terms and conditions of sale for such products, Vishay assumes no liability whatsoever, and disclaims any express or implied warranty, relating to sale and/or use of Vishay products including liability or warranties relating to fitness for a particular purpose, merchantability, or infringement of any patent, copyright, or other intellectual property right.

The products shown herein are not designed for use in medical, life-saving, or life-sustaining applications. Customers using or selling these products for use in such applications do so at their own risk and agree to fully indemnify Vishay for any damages resulting from such improper use or sale.