

Double Ended Beam Load Cell



FEATURES

- Capacities: 20 to 75Klbs
- Environmental protection: IP67 (DIN 40.050)
- Material: Stainless steel
- Certified by NTEP class III L 10000 divisions

OPTIONAL FEATURE

- FM approved for use in potentially explosive atmosphere

DESCRIPTION

The 9323 is a Double Ended Beam type load cell.

This product is designed for use in certified truck and rail scales and is available in capacities from 20K to 75Klbs.

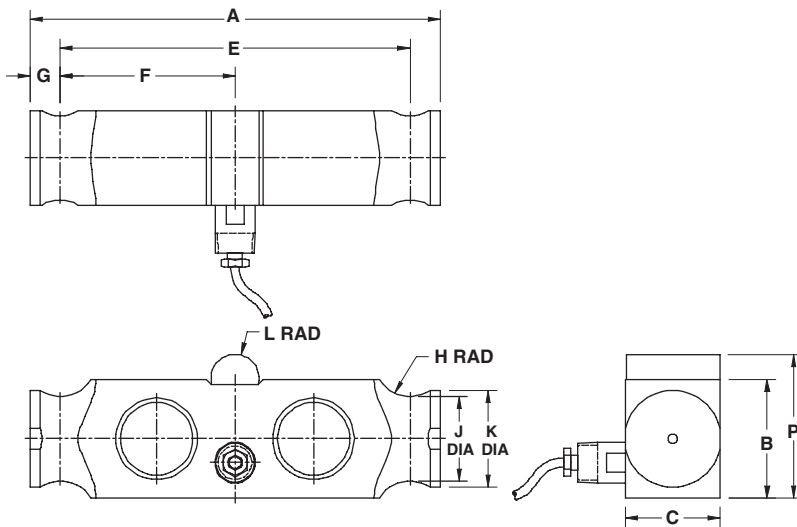
A reliable sealing and mechanical protection of the strain gage area is ensured by the use of potting compound with a metal cover.

This load cell is rated intrinsically safe by the FM system, making it suitable for use in potentially explosive atmosphere.

APPLICATIONS

- Weighbridges
- Silos, tanks and hoppers

OUTLINE DIMENSIONS in inches



Cable specifications:

Cable length: 9 m (30ft)

Excitation + Red
 Excitation - Black
 Output + Green
 Output - White
 Shield Transparent

Cable screen is not connected to load cell body.

| Capacity | 20 - 25K | 30 - 75K |
|----------|----------|----------|
| A | 8.00 | 8.50 |
| B | 1.94 | 2.45 |
| C | 1.44 | 1.95 |
| E | 7.12 | 7.25 |
| F | 3.56 | 3.63 |
| G | 0.44 | 0.63 |
| H | 0.38 | 0.75 |
| J RAD | 0.80 | 1.75 |
| ØK | 1.00 | 2.00 |
| L RAD | 0.38 | 0.50 |
| P | 2.31 | 3.00 |

**SPECIFICATIONS**

| PARAMETER | VALUE | | UNIT |
|------------------------------------|-----------------------------------|--------------|--------------------------|
| Capacities | 20K, 25K, 30K, 40K, 50K, 60K, 75K | | lbs |
| Accuracy class according to NTEP | NTEP IIII | Non-Approved | |
| Max. no. of verification intervals | 10000d | | |
| Rated output (=S) | 3 | | mV/V |
| Rated output tolerance | 0.003 | | ±mV/V |
| Zero balance | 1.0 | | ±% FSO |
| Combined error | 0.0200 | 0.0500 | ±% FSO |
| Creep error (20 - 30 minutes) | 0.0300 | 0.0200 | ±% applied load |
| Temperature effect on zero | 0.0090 (0.0010) | 0.0250 | ±% FSO/5°C (°F) |
| Temperature effect on output | 0.0072 (0.0008) | 0.0250 | ±% applied load/5°C (°F) |
| Compensated temperature range | -10 to +40 (+14 to 104) | | °C (°F) |
| Operating temperature range | -53 to +93 (-65 to +200) | | °C (°F) |
| Safe load limit | 150 | | %E _{max} |
| Ultimate load | 300 | | %E _{max} |
| Safe side load limit | 100 | | %E _{max} |
| Excitation voltage recommended | 10 | | V |
| Excitation voltage maximum | 15 | | V |
| Input resistance | 700±7 | | Ω |
| Output resistance | 700±7 | | Ω |
| Insulation resistance | ≥5000 | | MΩ |
| Environmental protection | IP67 | | |
| Element material | Stainless steel | | ASTM |

FSO-Full Scale Output

Correct mounting of the load cells is essential to ensure optimum accuracy and performance. Further information is available upon request.

VISHAY TRANSDUCERS (VT) SALES OFFICES

VT Americas
City of Industry, CA
PH: +1-626-858-8899
FAX: +1-626-332-3418
vt.us@vishaymg.com

VT Netherlands
Breda
PH: +31-76-548-0700
FAX: +31-76-541-2854
vt.nl@vishaymg.com

VMG UK
Basingstoke
PH: +44-125-646-2131
FAX: +44-125-647-1441
vt.uk@vishaymg.com

VMG Israel
Netanya
PH: +972-9-863-8888
FAX: +972-9-863-8800
vt.il@vishaymg.com

VMG Germany
Heilbronn
PH: +49-7131-3901-260
FAX: +49-7131-3901-2666
vt.de@vishaymg.com

VT China
Tianjin
PH: +86-22-2835-3503
FAX: +86-22-2835-7261
vt.prc@vishaymg.com

VMG France
Chartres
PH: +33-2-37-33-31-20
FAX: +33-2-37-33-31-29
vt.fr@vishaymg.com

VT Taiwan*
Taipei
PH: +886-2-2696-0168
FAX: +886-2-2696-4965
vt.roc@vishaymg.com
*Asia except China



Notice

Specifications of the products displayed herein are subject to change without notice. Vishay Intertechnology, Inc., or anyone on its behalf, assumes no responsibility or liability for any errors or inaccuracies.

Information contained herein is intended to provide a product description only. No license, express or implied, by estoppel or otherwise, to any intellectual property rights is granted by this document. Except as provided in Vishay's terms and conditions of sale for such products, Vishay assumes no liability whatsoever, and disclaims any express or implied warranty, relating to sale and/or use of Vishay products including liability or warranties relating to fitness for a particular purpose, merchantability, or infringement of any patent, copyright, or other intellectual property right.

The products shown herein are not designed for use in medical, life-saving, or life-sustaining applications. Customers using or selling these products for use in such applications do so at their own risk and agree to fully indemnify Vishay for any damages resulting from such improper use or sale.